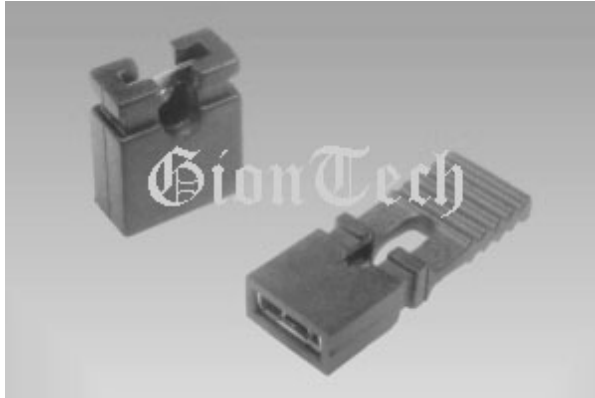


2.54mm 2 contact Mini Jumper Open/Close Type:

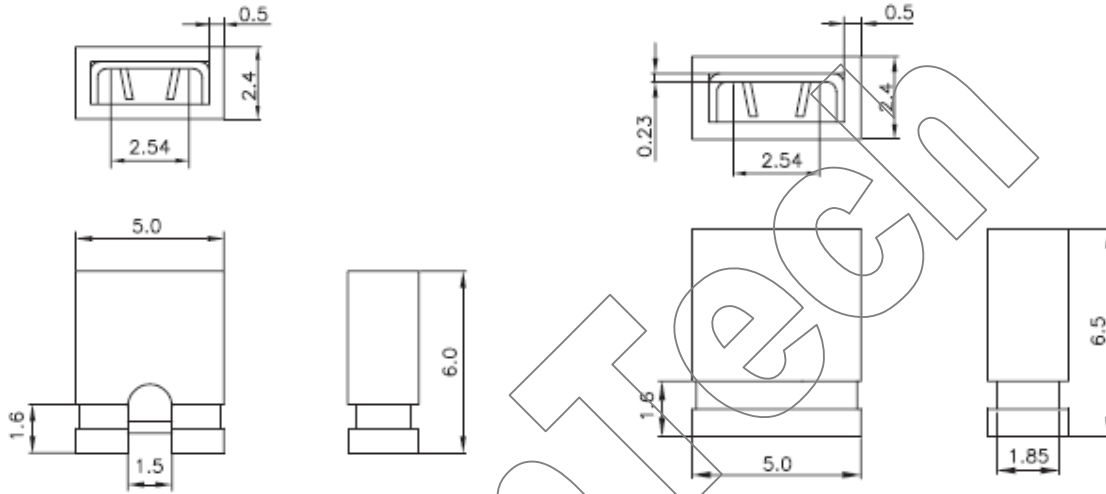


SPECIFICATIONS

Pitch:	2.54 mm
Number of contacts:	2 pins
Current Rating:	3A
Operating Temperature:	-40°C ~+105°C
Relative Humidity:	93%, +40°C
Dielectric Withstanding:	550V AC/minute
Insulator Resistance:	≥ 1000 MΩ at 100V
Soldering Temperature:	230°C, 30-60s max. 260°C, 10s max.
Material:	
Base:	PBT/Nylon6T, UL94V-0
Contact Pin:	Copper Alloy
Contact Plating:	Au or Sn Over 50u" Ni

ROHS Compliance

PH2.54-JPA / PH2.54-JPB / PH2.54-JPC

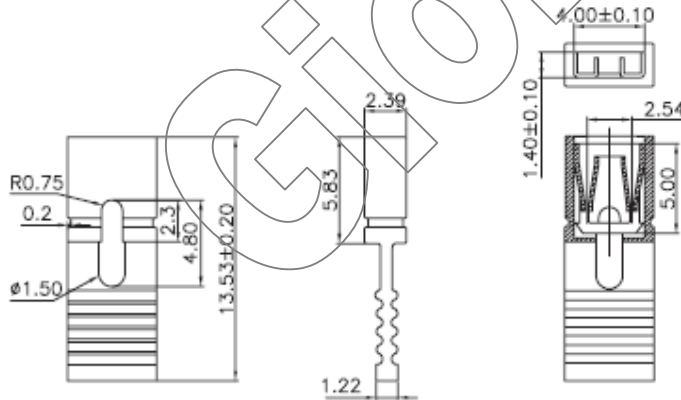


Open Type

PH2.54-JPA

Close Type

PH2.54-JPB



Open Type

PH2.54-JPC